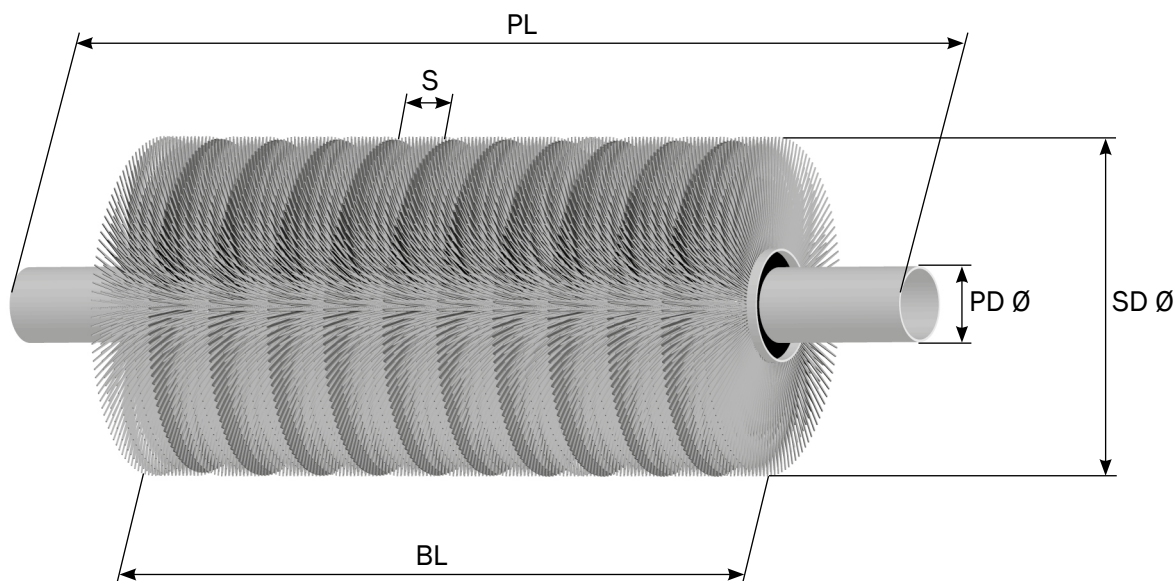


Techn. data for brushes in concrete block production

Weber has the suitable system for each application and for any machine. However, we need some technical specifications that will allow us to precisely adapt our brushes to your requirements. This should and cannot

replace any individual consultation. Please contact us in case you have questions or in case you are not able to provide this information. We will be glad to help you.

Spiral brushes



Dimensions

Pipe length: PL _____ mm

Body length: BL _____ mm

Sweeping diameter: SD Ø _____ mm

Pipe diameter: PD Ø _____ mm

Spiral type and spiral inclination

Trim only (without tube)

Full body

Pitch 20 mm

Pitch 50 mm

Pitch S _____ mm

Application area

Board cleaning

Green products

Surface structure treatment

Bristle material

Crimped wire

Polypropylene white

Polypropylen/crimped wire

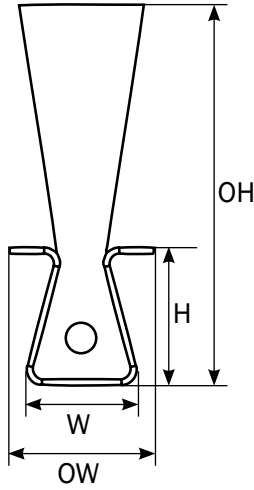
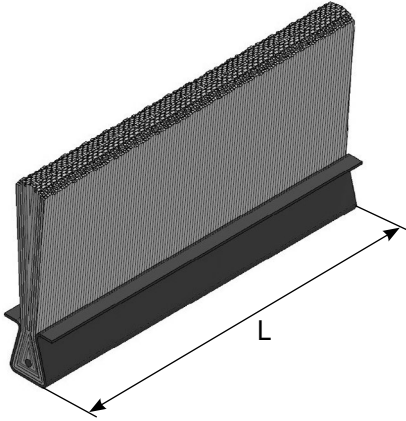
Nylon white

Nylon/crimped wire

Grit/Tynex

Feed drawer brushes

KingCon® with steel back profile



Length (L) in mm _____

Width (W) in mm _____

Height (H) in mm _____

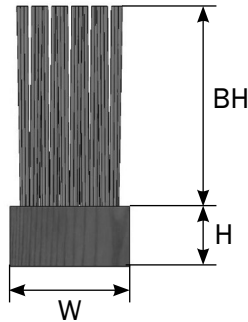
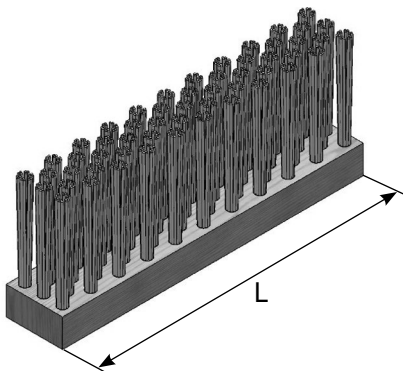
Overall Width (OW) in mm _____

Overall Height (OH) in mm _____

Bristle material

- Crimped wire Plastic
 Flat wire Plastic/flat wire

Wooden sweeping strips



Length (L) in mm _____

Width (W) in mm _____

Height (H) in mm _____

Bristle height (BH) in mm _____

Bristle material

- Crimped wire Plastic
 Flat wire Plastic/flat wire

Sender

Company

Contact person

Street

Postcode/City

Tel. / Mobile

E-Mail

Please send the completed data sheet by e-mail to info@weberbrushes.com or by fax to **+49 (0)6434 9125-42**