

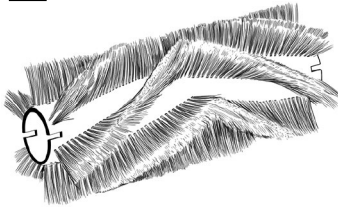
Technical data for sweeping rollers

Weber has the suitable system for each application and for each sweeper. However, we need some technical specifications that will allow us to precisely adapt our brushes to your requirements. This should and cannot

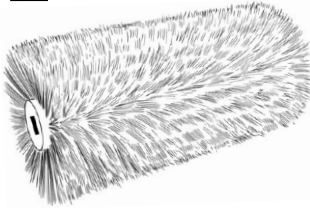
replace any individual consultation. Please contact us in case you have questions or in case you are not able to provide this information. We will be glad to help you.

Bristle arrangement

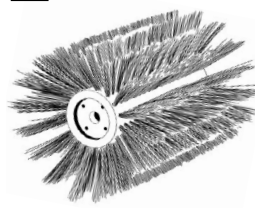
V-shaped



Full cover

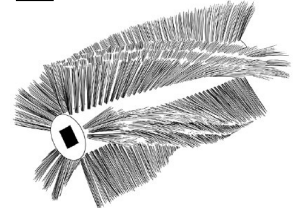


Linear



Spiral left

Spiral right



Number of rows (e.g. 6 x 3 rows) _____

Bristle material

Plastic

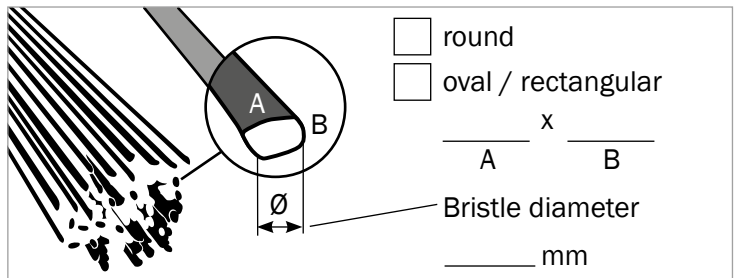
Plastic/crimped wire

Flat wire

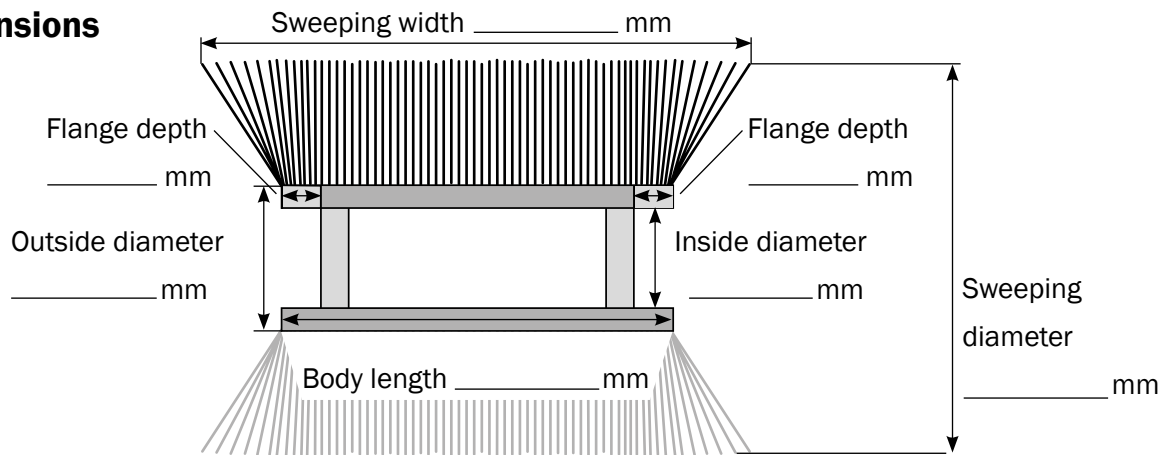
Plastic/flat wire

Crimped wire

Color _____

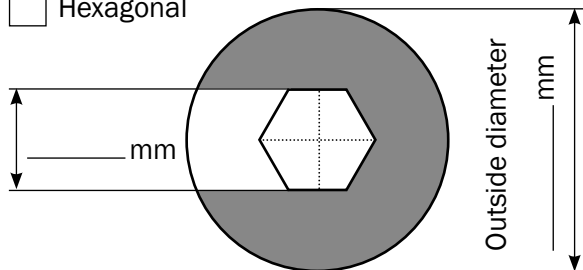


Roller dimensions

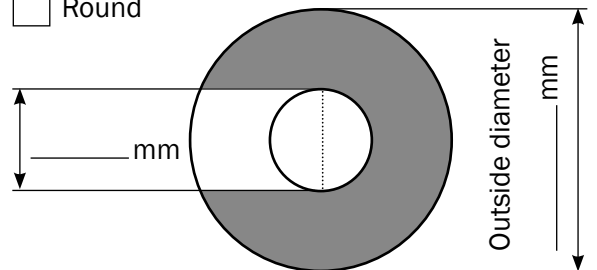


Drive type and bodies

Hexagonal



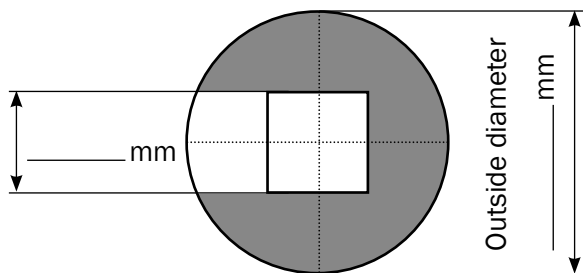
Round



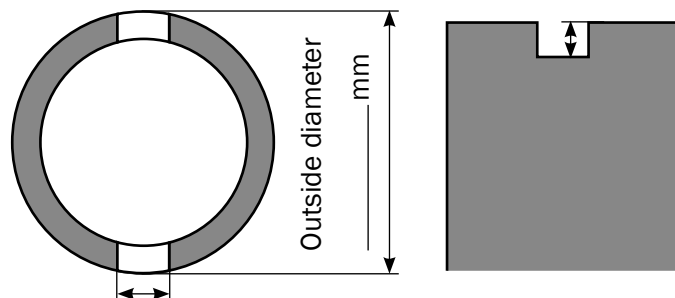
Continuation on the back

Drive type and bodies Continuation

Square



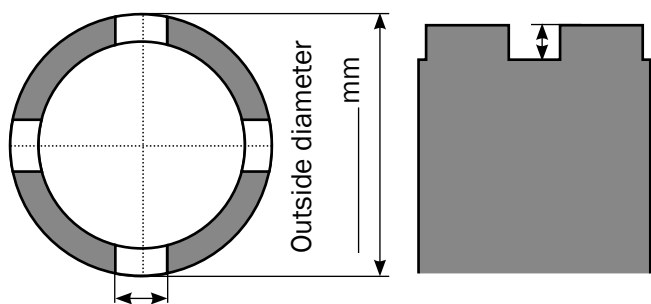
With two slots



Width _____ mm

Depth _____ mm

With four slots

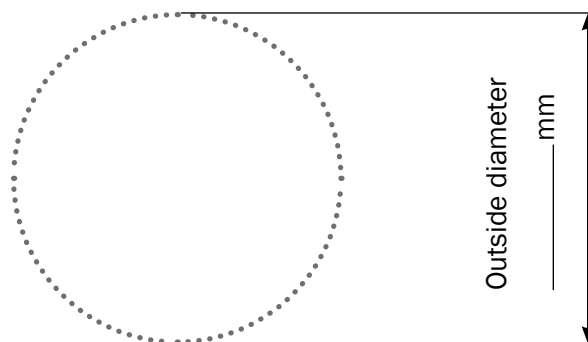


Width _____ mm

Depth _____ mm

Individual design

In case none of the above drive types is suitable, please outline your own design.



Machine details

Machine manufacturer (if known)

Machine type (if known)

Application details

Place of use (e. g. agriculture, maintenance area...)

Soiling/sweepings (e. g. greenery...)

Application (e. g. snow removal...)

Sender

Company

Contact person

Street

Postcode/City

Tel. / Mobile

E-Mail

Please send the completed data sheet by e-mail to info@weberbrushes.com or by fax to **+49 (0)6434 9125-42**